

BREATHALYZER

SENTECH 

iSOBER 30

User's Manual

The Fuel Cell Sensor Technology, iSOBER 30 is intended to measure alcohol in human breath.

The accuracy of this device has been established at a Blood Alcohol Concentration of 0.00 to 0.40%BAC.

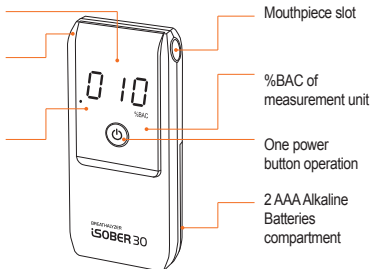
It is easy to operation and handy, compact size of breath alcohol tester and high accuracy with various functions will make a special experience.

Components

Clear RED FND type

Breath outlet hole
(Do Not block while using it)

3 decimal point display
(e.g. Displaying 010 means 0.010 %BAC)



Mouthpiece slot

%BAC of measurement unit

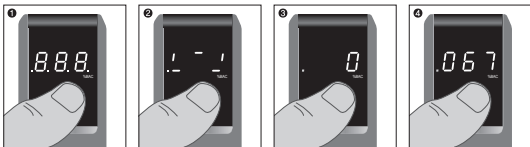
One power button operation

2 AAA Alkaline Batteries compartment

Contents

Breathalyzer, Mouthpieces(x5), AAA Batteries(x2), Zipper case and User's manual

How to use



1. Press power button 2 seconds then battery level will show as
Full **b** Middle **b** Low **b**
2. Wait until you can see "0" sign.(Warming-up is going on)
3. When "0" appeared on the display, blowing through the mouthpiece into the unit for 4 seconds until hearing click-crack sound.
4. The result is displayed for 10 seconds and turn off automatically
*if you want to test continuously, press the power button once while result is displaying
*Passive mode available: if you press the button while breath sampling, device will show P (It means PASS) or F (It means FAIL) according to pre-set limit 0.02 % BAC

Recall memorized values on a menu mode (*refer to back side of this manual)

- last 10 test results with time record
- 3 types of test counting
:Since calibration / Alcohol positive / Device total
- number of days & counting remaining until a next calibration

Warnings

- a. Wait at least 20 minutes after eating or drinking before testing. Alcohol remaining in the mouth, or even excess saliva, may interfere with testing. This includes alcohol-based mouthwash or similar products. This is the most common cause of improper use and incorrect result.
- b. Avoid testing in high wind or enclosed spaces. Poor ventilation may also lengthen the time required for warm up between tests.
- c. Do not blow smoke, saliva or other contaminants into the mouthpiece, as the sensor may become damaged.
- d. Do NOT use iSOBER 30 as a tool to drink and drive.
- e. Keep out of extreme temperatures and out of the reach of children.
- f. To maintain accuracy, professional of the iSOBER 30 must be performed every 1000 tests or at least once a year, whichever comes first. To recalibrate, you must mail your device to the address at the end of this manual. Please contact us for details and related fees.

Specifications

Accuracy	±5% at 0.050 %BAC
Indication of B.A.C	0.000 to 0.400%BAC by FND Display
Warm up time	3 seconds~4 minutes
Response time	within 10 seconds at 0.100%BAC
Mouthpiece	Provided Individual packed mouthpiece
Power supply	Two 1.5V "AAA" Alkaline batteries only
Weight	2.33 oz (Including batteries)
Dimensions(Inches)	3.94(H) X 1.73(W) X 0.59(T)
Temperature conditions	Operation 41°F to 104°F / Storage 32°F to 122°F
Calibration interval	12months or 1,000 tests(Whichever comes first)

Warning Display

Flo

If you see "Flo" in the display, the breath sample was not strong enough for measurement. Please power on the unit again and make sure the breath is strong and steady during sampling.

bAt

If you see "bAt" in the display, the battery power is low. Please replace the batteries.

CAL

Unit is on grace period of calibration, please contact local distributor for the recalibration

t.Lo

t.Hi

Out of operating temperature, please follow operating temperature condition

Err

Out of required calibration period, please contact local distributor

Er.2

Problem with sensor, please contact local distributor

Menu mode

iSOBER30 memorizes various information related with test counting and time. Especially the warning of remaining counts & dates until next calibration is helpful to prepare calibration service on time.

To enter the menu mode, hold power button 5 seconds to turn on the device. The latest test result will be shown briefly and then 3 selectable menu **0.Lr** **1.Ct** **2.Cd** will be displayed.

To move between 3 menus, press power button once.

To confirm target menu, press & hold power button 3 seconds

To out of menu mode, select **ESC** or press & hold power button 3 seconds under the toggle displaying is going on

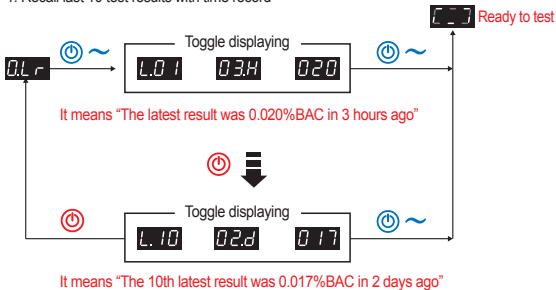
Button operation

 : Press button once

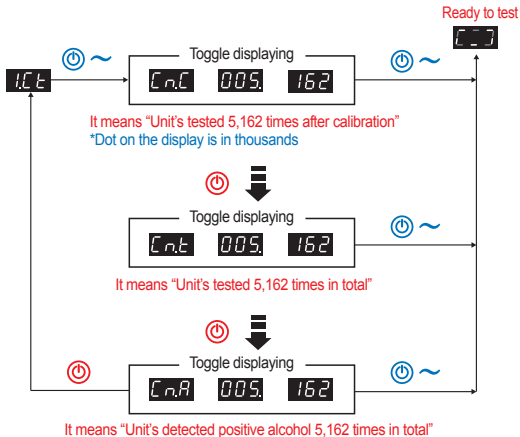
 : Press & hold button 3 seconds

*The numbers on toggle displaying below chart are examples to help user understanding

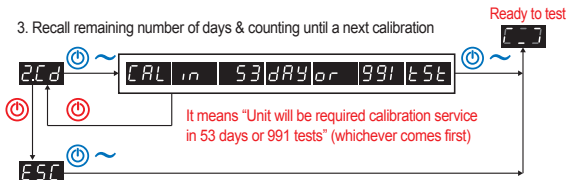
1. Recall last 10 test results with time record



2. Recall 3 types of test counting : Since calibration / Alcohol positive / Device total



3. Recall remaining number of days & counting until a next calibration



Limited ONE year warranty

Warranty coverage

Sentech USA INC warrants this product against defects in materials and workmanship under normal use for a period of ONE (1) YEAR from the date of retail purchase by the original end-user purchaser ("Warranty Period"). Except as provided in the preceding sentence or applicable law, Sentech USA INC provides this product "as is". If a defect arises and a valid claim is received by Sentech USA INC within the Warranty Period, at its option, Sentech USA INC will either (1) repair the product, (2) exchange the product with a product that is new or which has been manufactured from new or serviceable used parts and is at least functionally equivalent to the original product, or (3) refund the purchase price of the product. When a refund is given, the product for which the refund is provided must be returned to Sentech USA INC and becomes Sentech USA INC' property. This warranty is limited to the original end-user purchaser and is not transferable to, or enforceable by, any subsequent owner.

Disclaimers

Sentech USA INC makes no warranties, express or implied, as to the ability of this product to determine whether, or the extent to which, a test subject's mental or physical functioning, or judgment, may be impaired by blood alcohol including whether the test subject is intoxicated under any definition of that word. Sentech USA INC expressly disclaims any liability for direct, indirect, incidental, special, or consequential damages of any nature under any legal theory. Any act or failure to act based on a reading from this product shall be at the test subject's or user's own risk. Sentech USA INC assumes no responsibility for consequences to or of test subjects who use this product and later are shown to have been under the influence of alcohol or to have had their judgment or any mental or bodily function impaired by alcohol. Correlation between breath alcohol content and blood alcohol concentration depends on many variables, including environmental factors (such as air quality, wind, humidity, temperature, etc.) and health conditions of the test subject. A low BAC reading does not mean that the test subject's physical or mental performance or judgment (including reaction times) can respond to an emergency. The concentration of alcohol in the blood of a test subject cannot be exactly determined by using a breath alcohol screening product.

Sentech USA INC does not warrant that the operation of the product will be error-free. Sentech USA INC is not responsible for any consequences arising from failure to follow instructions or relating to the product's use. This warranty does not apply: (a) to consequences caused by accident, abuse, tampering, misuse, flood, fire, earthquake or other external causes; (b) to consequences caused by operating the product outside the permitted or intended uses described by Sentech USA INC; (c) to consequences caused by service performed by anyone who is not a representative of Sentech USA INC or Sentech USA INC Authorized Service Provider; or (d) to a product or part that has been modified to alter functionality or capability without the written permission of Sentech USA INC.

TO THE EXTENT PERMITTED BY LAW, THIS WARRANTY AND THE REMEDIES SET FORTH ABOVE ARE EXCLUSIVE AND IN LIEU OF ALL OTHER WARRANTIES, REMEDIES AND CONDITIONS, WHETHER ORAL OR WRITTEN, STATUTORY, EXPRESS OR IMPLIED. AS PERMITTED BY APPLICABLE LAW, SENTECH USA INC SPECIFICALLY DISCLAIMS ANY AND ALL STATUTORY OR IMPLIED WARRANTIES, INCLUDING, WITHOUT LIMITATION, WARRANTIES OF MERCHANTABILITY AND FITNESS FOR A PARTICULAR PURPOSE AND WARRANTIES AGAINST HIDDEN OR LATENT DEFECTS. IF SENTECH USA INC CANNOT LAWFULLY DISCLAIM STATUTORY OR IMPLIED WARRANTIES THEN TO THE EXTENT PERMITTED BY LAW, ALL SUCH WARRANTIES SHALL BE LIMITED IN DURATION TO THE DURATION OF THE EXPRESS WARRANTY AND TO THE REPAIR OR REPLACEMENT SERVICE AS DETERMINED BY SENTECH USA INC IN ITS SOLE DISCRETION.

No Sentech USA INC reseller, agent, or employee is authorized to make any modification, extension, or addition to this warranty. If any term is held to be illegal or unenforceable, the legality or enforceability of the remaining terms shall not be affected or impaired.

EXCEPT AS PROVIDED IN THIS WARRANTY AND TO THE MAXIMUM EXTENT PERMITTED BY LAW, SENTECH USA INC IS NOT RESPONSIBLE FOR DIRECT, SPECIAL, INCIDENTAL OR CONSEQUENTIAL DAMAGES UNDER ANY LEGAL THEORY, INCLUDING BUT NOT LIMITED TO LOSS OF USE; LOSS OF REVENUE OR INCOME; LOSS OF ACTUAL OR ANTICIPATED PROFITS (INCLUDING LOSS OF PROFITS FROM A CONTRACT); LOSS OF THE USE OF MONEY; LOSS OF ANTICIPATED SAVINGS; LOSS OF BUSINESS; LOSS OF OPPORTUNITY; LOSS OF GOODWILL, OR LOSS OF REPUTATION.

Some countries, states and provinces do not allow the exclusion or limitation of incidental or consequential damages or allow limitations on how long an implied warranty or condition may last, so the above limitations or exclusions may not apply to you. This warranty gives you specific legal rights, and you may also have other rights that vary by country, state or province. This Limited Warranty is governed by and construed under the laws of the country in which the product purchase took place.

For warranty & recalibration service

Please contact;

SENTECH USA INC
20280 S.Vermont Ave. #200
Torrance, CA 90502
www.sentech-usa.com
service@sentech-usa.com

Stay sober & Drive sober